

SC18MLX MBP Compressor R404A/R507 208-230V 60Hz

General

Code number	104L2138
Approvals	UL984
Compressors on pallet	80

Application

Application	MBP			
Frequency	Hz	50	60	
Evaporating temperature	°C	-	-23.3 to 7.2	
Voltage range	V	-	187 - 254	
Max. condensing temperature continuous (short)	°C	-	50 (60)	
Max. winding temperature continuous (short)	°C	-	125 (135)	

Cooling requirements

Frequency	Hz	50			60		
Application		LBP	MBP	HBP	LBP	MBP	HBP
32°C		-	-	-	-	F ₂	-
38°C		-	-	-	-	F ₂	-
43°C		-	-	-	-	F ₂	-
Remarks on application:							

Motor

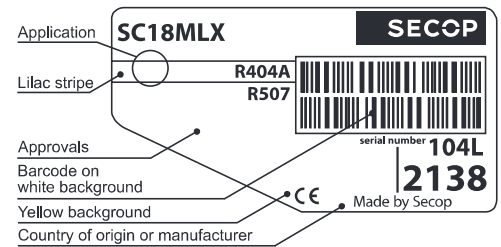
Motor type	CSR		
LRA (rated after 4 sec. UL984), HST LST	A	32.5	-
Cut in Current, HST LST	A	32.5	-
Resistance, main start winding (25°C)	Ω	2.0	6.6

Design

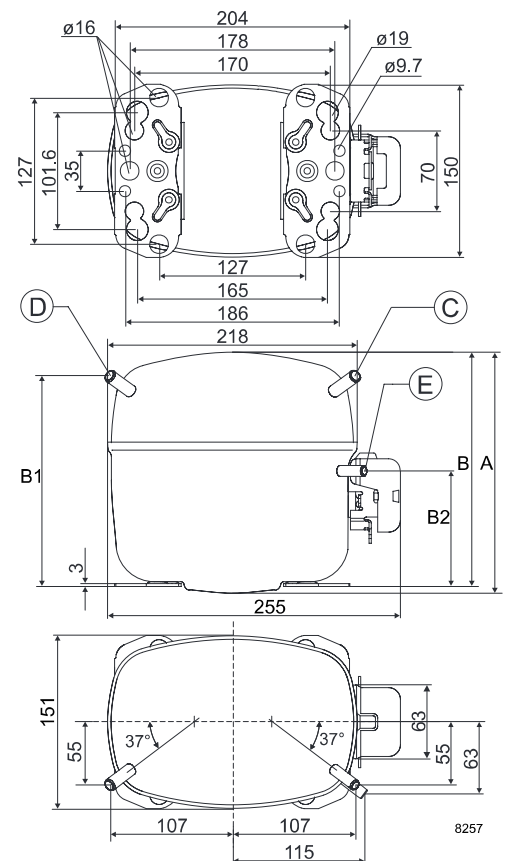
Displacement	cm ³	17.68
Oil quantity (type)	cm ³	600 (polyolester)
Maximum refrigerant charge	g	1300
Free gas volume in compressor	cm ³	1460
Weight without electrical equipment	kg	14.0

Dimensions

Height	mm	A	219
		B	213
		B1	193
		B2	110
Suction connector	location/I.D. mm angle	C	9.7 37°
	material comment	Copper Rubber plug	
Process connector	location/I.D. mm angle	D	6.5 37°
	material comment	Copper Rubber plug	
Discharge connector	location/I.D. mm angle	E	6.5 37°
	material comment	Copper Rubber plug	
Oil cooler connector	location/I.D. mm angle	F	-
	material comment	-	
Connector tolerance	I.D. mm		±0.09
Remarks:			



- S = Static cooling normally sufficient
- O = Oil cooling
- F₁ = Fan cooling 1.5 m/s (compressor compartment temperature equal to ambient temperature)
- F₂ = Fan cooling 3.0 m/s necessary
- SG = Suction gas cooling normally sufficient
- = not applicable in this area

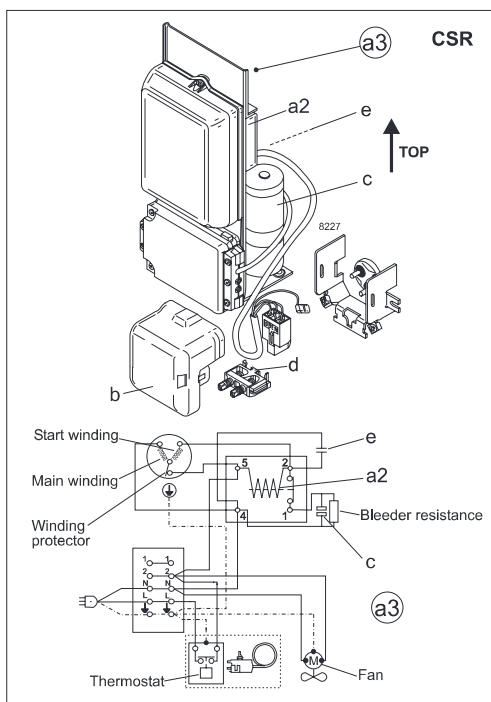


EN 12900 Household (CECOMAF) 230V, 60Hz, fan cooling F₂

Evap. temp. in °C	-45	-40	-35	-30	-25	-23.3	-20	-15	-10	-6.7	-5	0	5	7.2	10	15	20
Capacity in W						986	1140	1412	1732	1972	2106	2538	3034	3273			
Power cons. in W						829	883	967	1051	1108	1137	1226	1317	1358			
Current cons. in A						5.08	5.24	5.51	5.81	6.02	6.13	6.49	6.88	7.06			
COP in W/W						1.19	1.29	1.46	1.65	1.78	1.85	2.07	2.30	2.41			

ASHRAE MBP 230V, 60Hz, fan cooling F₂

Evap. temp. in °C	-45	-40	-35	-30	-25	-23.3	-20	-15	-10	-6.7	-5	0	5	7.2	10	15	20
Capacity in W						880	1030	1294	1607	1844	1975	2405	2901	3142			
Power cons. in W						861	926	1025	1124	1190	1224	1326	1430	1477			
Current cons. in A						5.08	5.29	5.63	6.00	6.26	6.40	6.84	7.30	7.52			
COP in W/W						1.02	1.11	1.26	1.43	1.55	1.61	1.81	2.03	2.13			



Accessories for	SC18MLX (60Hz)	Figure	Code number	Test conditions	EN 12900/CECOMAF	ASHRAE MBP
Starting device	470 mm cable length	a3	117-7066	Condensing temperature	45°C	54.4°C
Cover		b	103N2008	Ambient temperature	32°C	35°C
Starting relay		a2	Components of starting device	Suction gas temperature	32°C	35°C
Start. capacitor 80 µF		c		Liquid temperature	no subcooling	46.1°C
Run capacitor 10 µF		e		Mounting accessories		
Cord relief		d	103N1004	Bolt joint for one compressor	Ø: 16 mm	118-1917
				Bolt joint in quantities	Ø: 16 mm	118-1918
				Snap-on in quantities	Ø: 16 mm	118-1919

Secop can accept no responsibility for possible errors in catalogues, brochures and other printed material. Secop reserves the right to alter its products without notice. This also applies to products already on order provided that such alterations can be made without subsequential changes being necessary in specifications already agreed. All trademarks in this material are property of the respective companies. Secop and the Secop logotype are trademarks of Secop GmbH. All rights reserved. www.secop.com

SC18MLX MBP Compressor R404A/R507 208-230V 60Hz



General

Code number	104L2138
Approvals	UL984
Compressors on pallet	80

Application

Application	LBP/MBP	
Frequency	Hz	50 60
Evaporating temperature	°F	– -10 to 45
Voltage range	V	– 187 - 254
Max. condensing temperature continuous (short)	°F	– 131 (140)
Max. winding temperature continuous (short)	°F	– 257 (275)

Cooling requirements

Frequency	Hz	50			60		
Application		LBP	MBP	HBP	LBP	MBP	HBP
90°F		–	–	–	–	F ₂	–
100°F		–	–	–	–	F ₂	–
110°F		–	–	–	–	F ₂	–
Remarks on application:							

Motor

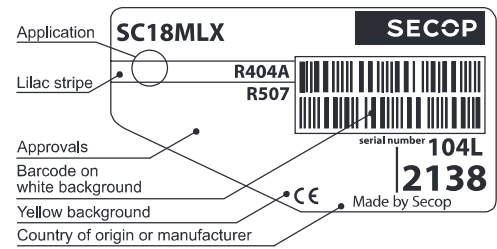
Motor type	CSR		
LRA (rated after 4 sec. UL984), HST LST	A	32.5	–
Cut in Current, HST LST	A	32.5	–
Resistance, main start winding (77°F)	Ω	2.0	6.6

Design

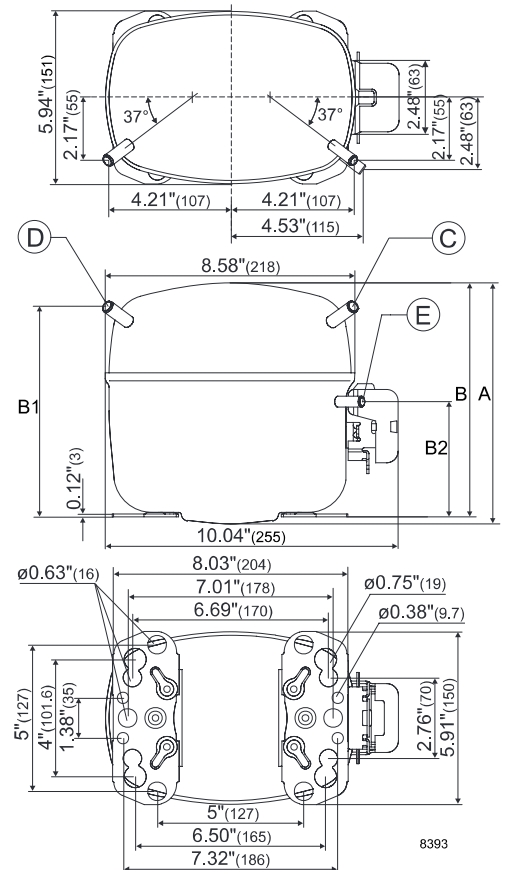
Displacement	cu.in	1.08
Oil quantity (type)	Åoz.	20.3 (polyolester)
Maximum refrigerant charge	oz.	45.5
Free gas volume in compressor	Åoz.	49.4
Weight without electrical equipment	lbs.	30.9

Dimensions

Height	inch	A	8.62
		B	8.39
		B1	7.60
		B2	4.33
Suction connector	location, I.D. in. angle	C	0.378-0.385 37°
	material comment		Copper Rubber plug
Process connector	location, I.D. in. angle	D	0.252-0.259 37°
	material comment		Copper Rubber plug
Discharge connector	location, I.D. in. angle	E	0.252-0.259 37°
	material comment		Copper Rubber plug
Oil cooler connector	location, I.D. in. angle	F	–
	material comment		–
Remarks:			



- S = Static cooling normally sufficient
- O = Oil cooling
- F₁ = Fan cooling 1.5 m/s
(compressor compartment temperature equal to ambient temperature)
- F₂ = Fan cooling 3.0 m/s necessary
- SG = Suction gas cooling normally sufficient
- = not applicable in this area



ASHRAE MBP

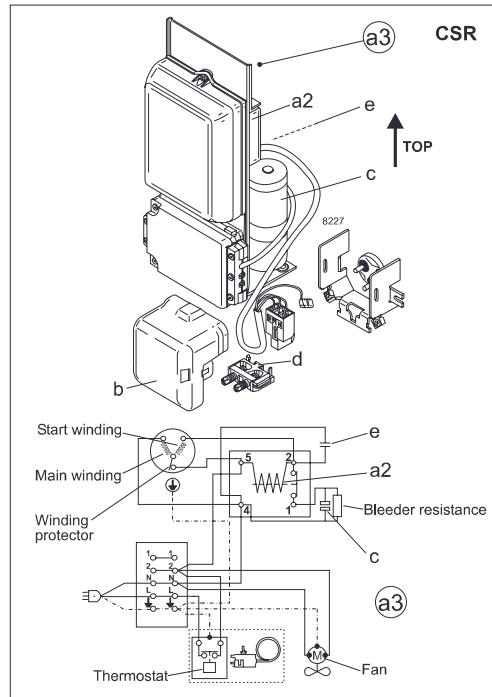
230V, 60Hz, fan cooling F₂

Evap. temp. in °F	-49	-40	-30	-20	-13	-10	0	10	14	20	30	40	41	45	50	59	68
Capacity in BTU/h						2997	3894	4984	5481	6296	7855	9691	9891	10722			
Power cons. in W						860	970	1080	1124	1191	1303	1419	1430	1478			
Current cons. in A						5.08	5.44	5.83	6.00	6.27	6.74	7.25	7.30	7.52			
EER in BTU/Wh						3.49	4.01	4.62	4.88	5.29	6.03	6.83	6.91	7.26			

EN 12900 Household (CECOMAF)*

230V, 60Hz, fan cooling F₂

Evap. temp. in °F	-49	-40	-30	-20	-13	-10	0	10	14	20	30	40	41	45	50	59	68
Capacity in W						985	1255	1583	1732	1975	2437	2976	3034	3276			
Power cons. in W						828	920	1013	1051	1108	1206	1307	1317	1359			
Current cons. in A						5.08	5.36	5.67	5.81	6.02	6.41	6.84	6.88	7.07			
COP in W/W						1.19	1.36	1.56	1.65	1.78	2.02	2.28	2.30	2.41			



Accessories for	SC18MLX (60Hz)	Figure	Code number
Starting device	18.5 in. cable length	a3	117-7066
Cover		b	103N2008
Starting relay		a2	Components of starting device
Start. capacitor 80 µF		c	
Run capacitor 10 µF		e	
Cord relief		d	103N1004

Test conditions	ASHRAE MBP	EN 12900/CECOMAF*
Condensing temperature	130°F	113°F
Ambient temperature	95°F	90°F
Suction gas temperature	95°F	90°F
Liquid temperature	115°F	no subcooling

Mounting accessories	Code number	
Bolt joint for one compressor	Ø: 5/8 in.	118-1917
Bolt joint in quantities	Ø: 5/8 in.	118-1918
Snap-on in quantities	Ø: 5/8 in.	118-1919

Secop can accept no responsibility for possible errors in catalogues, brochures and other printed material. Secop reserves the right to alter its products without notice. This also applies to products already on order provided that such alterations can be made without subsequential changes being necessary in specifications already agreed.

All trademarks in this material are property of the respective companies. Secop and the Secop logotype are trademarks of Secop GmbH. All rights reserved. www.secop.com